



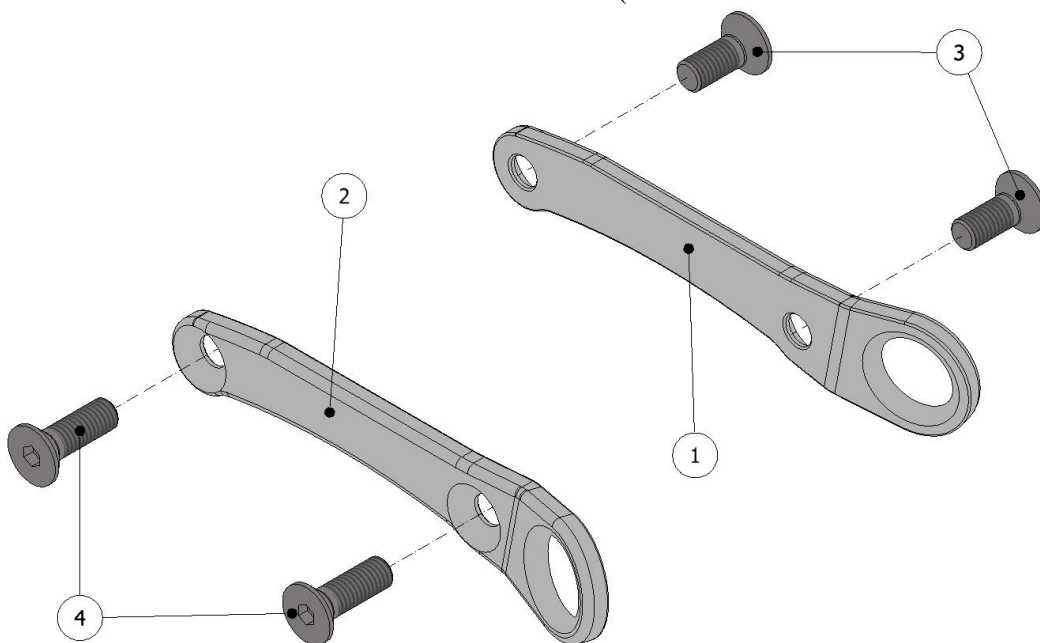
FITTING INSTRUCTIONS FOR TH0012
TRANSPORT HOOKS FOR SUZUKI GSX-R1000 '17-



THIS KIT CONTAINS THE ITEMS PICTURED AND LABELLED BELOW.
DO NOT PROCEED UNTIL YOU ARE SURE ALL PARTS ARE PRESENT.

Please note that the way the kit is packed does not necessarily represent the way of mounting to the bike.

THE PARTS SHOWN MAY BE REPRESENTATIVE ONLY (FOR CLARITY OF INSTRUCTIONS ONLY).





LEGEND

- ITEM 1 = TRANSPORT HOOK LEFT (SMW0084) (x1).
 ITEM 2 = TRANSPORT HOOK RIGHT (SMW0085) (x1).
 ITEM 3 = M8 x 20mm LONG COUNTERSUNK BOLTS (x2).
 ITEM 4 = M8 x 25mm LONG COUNTERSUNK BOLTS (x2).

Please note that in cases where kits are packed with rubber washers holding the components onto the bolt
 – *the rubber washers should be thrown away!*

TOOLS REQUIRED

- Socket set to include 5 & 6mm socket and wrench.

GENERAL TORQUE SETTINGS

- M4 BOLT = 8Nm
 M5 BOLT = 12Nm
 M6 BOLT = 15Nm
 M8 BOLT = 20Nm
 M10 BOLT = 40Nm

FITTING INSTRUCTIONS

- Remove the OEM pillion footrests on both sides of the bike (this includes the exhaust hanger bracket on the right side so will need to be replaced with an R&G Exhaust Hanger).
 - Offer the left side R&G transport hook (item 1) into position on the bike and tighten into the thread on the subframe using the two M8 x 20mm long countersunk bolts (item 3), as shown above.
 - On the right side of the bike, offer the R&G transport hook (item 2) into position on top of the exhaust hanger mounting holes and tighten into the thread on the subframe using the two M8 x 25mm long countersunk bolts (item 4), as shown above.
 - Ensure the part is correctly fitted before tightening all bolts to the recommended torque values.
- Please ensure that when strapping the motorcycle down the ratchet straps do not come into contact with any part of the motorcycle, as the strap is likely to rub during transit and may cause damage.
- We recommend that fabric from the straps be in contact with the product, as opposed to the hook on the end of the strap. This will increase the lifespan of the protective coating on the product.
- Do not overtighten straps attached to the product, as it would be possible to bend or break the product with excessive force. If in any doubt please consult a professional.
- R&G cannot be held liable for any breakages to straps, or consequential damage from this, as a result of fraying/breaking of the straps, or incorrect use. Please ensure that all bodywork of the motorcycle which may come in contact with the straps (e.g. plastic panels, exhausts, swingarms) are protected or left completely clear of the straps.
- While we may show certain applications where the product is being used for attaching luggage to a motorcycle, this is not a general recommendation and cannot be achieved on all motorcycles.



- Care and attention needs to be taken whenever the product is in use for securing luggage or for tying the motorcycle down. R&G cannot accept any responsibility for inappropriate use or decisions on the part of the user. If in doubt, always consult a professional.

ISSUE 1 29/06/2017 (AR)

Digital copies of these instructions are available to download from www.rg-racing.com

CONSUMER NOTICE

The catalogue description and any exhibition of samples are only broad indications of the Products and R&G may make design changes which do not diminish their performance or visual appeal and supplying them in such state shall conform to the order. The Buyer acknowledges no representation or warranty (other than as to title) has been given or will apply to the Products other than those in R&G's order or confirmation and the Buyer confirms it has chosen the Products as being of merchantable quality and suitable for its particular purposes. Where R&G fits the Products or undertakes other services it shall exercise reasonable skill and care and rectify any fault free of charge unless the workmanship has been disturbed. The Buyer is responsible for ensuring that the warranty on the motorcycle is not affected by the fitting of the Products. On return of any defective Products R&G shall at its option either supply a replacement or refund the purchase money but shall not be liable if the Products have been modified or used or maintained otherwise than in accordance with R&G's or manufacturer's instructions and good engineering practice or if the defect arises from accident or neglect. Other than identified above and subject to R&G not limiting its liability for causing death and personal injury, it shall not be liable for indirect or consequential loss and otherwise its liability shall be limited to the amounts paid by the Buyer for the Products or the fitting or service concerned. These terms do not affect the Buyer's statutory rights.

R&G RACING RETURNS POLICY (NON-FAULTY GOODS)

Returns must be pre-authorised (if not pre-authorised the return will be rejected). Goods may only be returned direct to us if they were purchased direct from us (customer must prove if necessary). Otherwise to be returned to original vendor. Goods must be in re-sellable condition, in the opinion of R&G Racing. All returns are subject to a 25% restocking and handling fee (25% of the gross value exc. P&P – at the prevailing price at time of purchase). The customer must pay any and all carriage charges. No returns of discontinued products, unless within 14 days of purchase. This policy does not affect your statutory rights and does not refer to faulty goods.



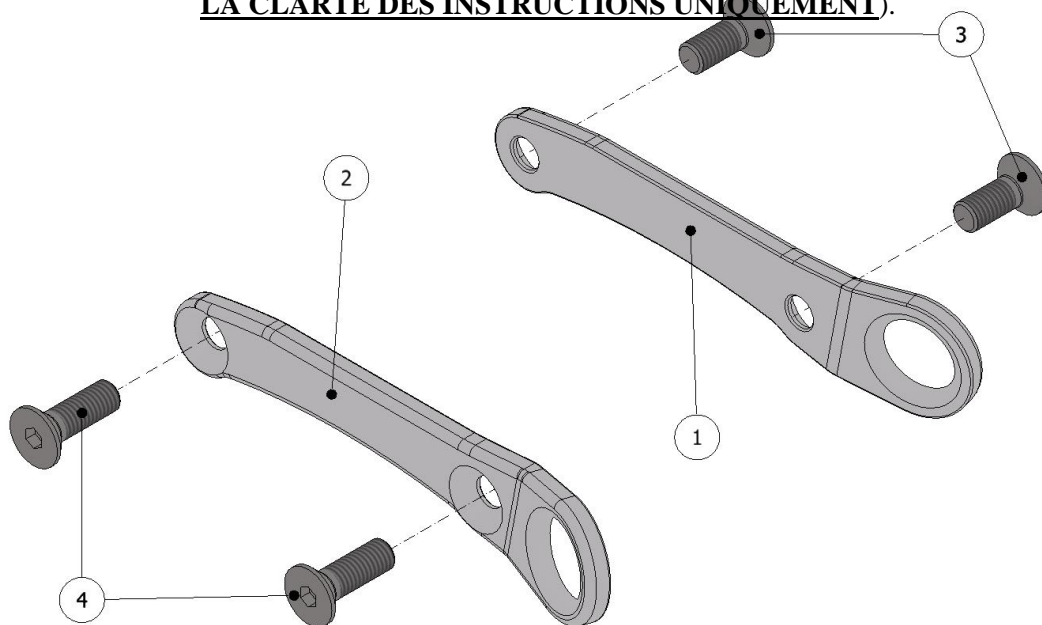
NOTICE DE MONTAGE POUR TH0012
ACCROCHES DE TRANSPORT SUZUKI GSX-R1000 '17-



Le kit contient les articles exposés ci-dessous, vérifier que toutes les pièces soient présentes avant de procéder au montage.

La façon dont le kit est emballé ne correspond pas forcément à la façon de monter les pièces sur la moto.

LES PARTIES PRESENTEES PEUVENT ETRE UNIQUEMENT REPRESENTATIVES (POUR LA CLARTE DES INSTRUCTIONS UNIQUEMENT).





LEGENDE

ARTICLE 1 = ACCROCHE DE TRANSPORT GAUCHE (SMW0084) (x1).

ARTICLE 2 = ACCROCHE DE TRANSPORT DROITE (SMW0085) (x1).

ARTICLE 3 = M8 x 20mm BOULONS (x2).

ARTICLE 4 = M8 x 25mm BOULONS (x2).

Notez que si les kits sont emballés avec des rondelles en caoutchouc servant à tenir les composants, *ces rondelles doivent être jetées !*

OUTILS REQUIS

- Clés à molette 5 & 6mm.

VALEURS DE SERRAGE RECOMMANDÉES

M4 BOULON = 8Nm

M5 BOULON = 12Nm

M6 BOULON = 15Nm

M8 BOULON = 20Nm

M10 BOULON = 40Nm

NOTICE DE MONTAGE

- Enlever les repose pieds passage d'origine des 2 côtés de la moto (cela inclus le support d'échappement du côté droit, qui sera remplacé par le support d'échappement R&G).
 - Monter l'accroche de transport R&G du côté gauche (article 1) en position sur la moto puis serrer dans le filetage du sous-cadre à l'aide des 2 boulons M8 x 20mm (article 3), voir ci-dessus.
 - Du côté droit de la moto, monter l'accroche de transport R&G (article 2) en position sur le haut des trous de fixation du support d'échappement puis serrer dans le filetage du sous-cadre en utilisant les 2 boulons M8 x 25mm (article 4), voir ci-dessus.
 - Veiller à ce que le montage soit correct avant de serrer tous les boulons selon les Valeurs de serrage recommandées.
- Veiller à ce que lorsque la moto est sanglée, les sangles ne touchent pas la moto, car cela pourrait abimer la moto lors du transport.
 - Nous recommandons que le tissu des sangles soit en contact avec le produit, par opposition à l'accroche sur l'extrémité de la sangle. Cela améliorera la durée de vie du revêtement de protection du produit.
 - Ne pas trop serrer les sangles attachées au produit, car cela pourrait endommager le produit si une force excessive est émise dessus. En cas de doute, consulter un professionnel.
 - R&G ne pourra être tenue responsable en cas de rupture des sangles, ou dommages consécutifs à cette rupture et à une mauvaise utilisation. Veiller à ce que tous les carénages de la moto qui pourraient être en contact avec les sangles, soit protégés (e.g. panneau plastique, échappement, bras oscillant) ou suffisamment éloignés des sangles.



- Même si nous présentons quelques applications du produit, tel que l'attache de bagage, il ne s'agit par d'une recommandation générale et cela peut ne pas être possible selon le modèle de moto.
- Lorsque le produit est utilisé, vous devez faire preuve d'une attention particulière dans la fixation du bagage ou atteler la moto. R&G n'acceptera aucune responsabilité en cas d'utilisation inappropriée et decision proper à l'utilisateur. En cas de doute, consultez un professionnel.

ISSUE 1 29/06/2017 (AR)

Notice disponible au téléchargement sur www.rg-racing.com

CONSUMER NOTICE

The catalogue description and any exhibition of samples are only broad indications of the Products and R&G may make design changes which do not diminish their performance or visual appeal and supplying them in such state shall conform to the order. The Buyer acknowledges no representation or warranty (other than as to title) has been given or will apply to the Products other than those in R&G's order or confirmation and the Buyer confirms it has chosen the Products as being of merchantable quality and suitable for its particular purposes. Where R&G fits the Products or undertakes other services it shall exercise reasonable skill and care and rectify any fault free of charge unless the workmanship has been disturbed. The Buyer is responsible for ensuring that the warranty on the motorcycle is not affected by the fitting of the Products. On return of any defective Products R&G shall at its option either supply a replacement or refund the purchase money but shall not be liable if the Products have been modified or used or maintained otherwise than in accordance with R&G's or manufacturer's instructions and good engineering practice or if the defect arises from accident or neglect. Other than identified above and subject to R&G not limiting its liability for causing death and personal injury, it shall not be liable for indirect or consequential loss and otherwise its liability shall be limited to the amounts paid by the Buyer for the Products or the fitting or service concerned. These terms do not affect the Buyer's statutory rights.

R&G RACING RETURNS POLICY (NON-FAULTY GOODS)

Returns must be pre-authorised (if not pre-authorised the return will be rejected). Goods may only be returned direct to us if they were purchased direct from us (customer must prove if necessary). Otherwise to be returned to original vendor. Goods must be in re-sellable condition, in the opinion of R&G Racing. All returns are subject to a 25% restocking and handling fee (25% of the gross value exc. P&P – at the prevailing price at time of purchase). The customer must pay any and all carriage charges. No returns of discontinued products, unless within 14 days of purchase. This policy does not affect your statutory rights and does not refer to faulty goods.